

### ANT

Chip Dielectric Antenna  
G2 Series



Chip Dielectric Antenna  
M Series



Chip Multilayer Antenna  
LDA92/20 Series



9.5x2.0x2.0mm

### ANT Port

Coaxial Connector  
MM8430-2600B



3x3x1.75mm

### SW

RF Diode Switch  
LMSW43C Series



4.9x3.2x2.0 mm

### RF Top

Chip Multilayer LC Filter  
LFB31\_SP Series



3.2x1.6x1.4mm

### "GIGAFIL"

DFCB22G44LANAA



3.1x4.5x1.6mm

### LNA

GaAs MMIC  
XM2400LB-PM0601



2.8x2.9x1.1mm

### Rx IF

SAW Filter  
SAFJA Series



9.6x5.1x2.0mm

### SW + LAN

GaAs MMIC  
XM2400LF-PN1001



3.0x4.9x1.0mm

### Rx RF Interstage

Chip Multilayer LC Filter  
LFB31\_SG Series



3.2x1.6x1.4mm

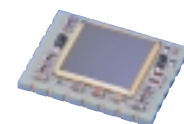
### Chip Coil

LQG15H Series  
LQP15M Series

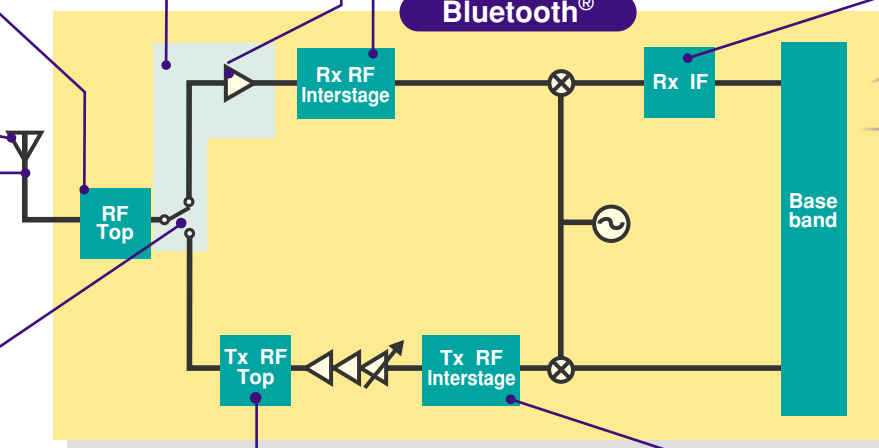


### RF Module

Blue Device™

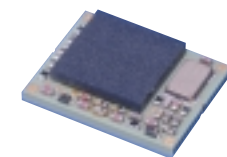


### Bluetooth®



### HCI Module

Blue Module™



### Tx RF Top

Chip Multilayer LC Filter  
LFB31\_SG Series



3.2x1.6x1.4mm

Chip Multilayer LC Filter  
LFL18\_TC Series



1.6x0.8x0.7mm

### Tx RF Interstage

Chip Multilayer LC Filter  
LFB31\_SG Series



3.2x1.6x1.4mm

Chip Multilayer Hybrid Balun  
LDB21 Series



2.0x1.25x1.05mm