

Rx RF Interstage

SAW Filter
SAFSE2G14KB0T00



2.5x2.0x0.95mm

Chip Multilayer LC Filter
LFB31_SG Series



3.2x1.6x1.4mm

Chip Multilayer Hybrid Balun
LDB21 Series



2.0x1.25x1.05mm

"GIGAFIL"
DFCB32G14LBJAA



5.7x4.4x2.0mm

Chip Coil
LQW15A/18A Series
LQG15H Series
LQP15M Series



1st LO

Chip Multilayer LC Filter
LFB31_SG Series



3.2x1.6x1.4mm

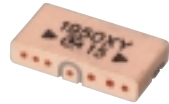
VCO
MQL Series



5.0x4.0x1.6mm typ.

ANT DPX

"GIGAFIL"
DFYK61G95LBNCB



10x5.3x2.0mm

Chip Coil
LQW15A/18A Series



Divider

Chip Multilayer Divider
LDD21 Series



Power divider with LPF
2.0x1.25x1.05mm

Rx 1st IF

SAW Filter
SAFCP190M Series



Balance type
3.2x5.0x1.05mm

Chip Coil
LQW15A/18A Series



1st LO+2nd LO

PLL Module
HFQD80 Series



9.8x8.0x1.6mm typ.

Phase Shifter

Chip Multilayer Delay Line
LDH21 Series



2.0x1.25x1.05mm

Isolator

Isolator
CE041 Series



4.0x4.0x1.7mm

Coupler

Chip Multilayer Hybrid Coupler
LDC18 Series



1.6x0.8x0.7mm

Tx RF Interstage

SAW Filter
SAFSE1G95KB0T00



2.5x2.0x0.95mm

Chip Multilayer LC Filter
LFL18_TC Series



1.6x0.8x0.7mm

Chip Multilayer LC Filter
LFB31_SG Series



3.2x1.6x1.4mm

"GIGAFIL"
DFCB31G95LBJAA



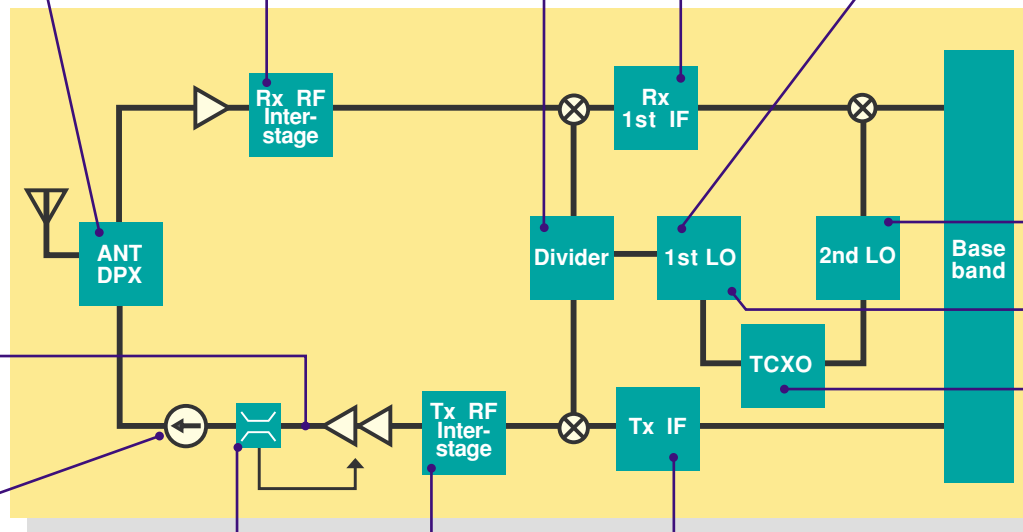
5.7x4.4x2.0mm

Chip Multilayer Hybrid Balun
LDB21 Series



2.0x1.25x1.05mm

Chip Coil
LQW15A/18A Series
LQG15H Series
LQP15M Series



TCXO

TCXO
HFX323 Series



5.2x3.3x1.5mm typ.

Tx IF

SAW Filter
SAFCD380MCA0T00



Balance type
3.0x3.0x1.0mm

Chip Multilayer LC Filter
LFB32 Series



Balance type
3.2x2.5x1.6mm

Chip Coil
LQW15A/18A Series



SAW Filter
SAFSE1G95KB0T00



2.5x2.0x0.95mm

Chip Multilayer LC Filter
LFL18_TC Series



1.6x0.8x0.7mm

Chip Multilayer LC Filter
LFB31_SG Series



3.2x1.6x1.4mm

"GIGAFIL"
DFCB31G95LBJAA



5.7x4.4x2.0mm

Chip Multilayer Hybrid Balun
LDB21 Series



2.0x1.25x1.05mm

Chip Coil
LQW15A/18A Series
LQG15H Series
LQP15M Series

