

SW

GaAs MMIC

XM5060SA-PM0601
XM5060SB-PM0601

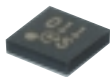


2.8x2.9x1.1mm

LNA

GaAs MMIC

XM5060LB-S01701



3.0x3.0x0.8mm

Rx RF Interstage

"GIGAFIL"

DFCB35G25LAHAA



4.6x3.1x1.6mm

MIX

GaAs MMIC

XM5060MA-PM0601



2.8x2.9x1.1mm

1st LO + 2nd LO

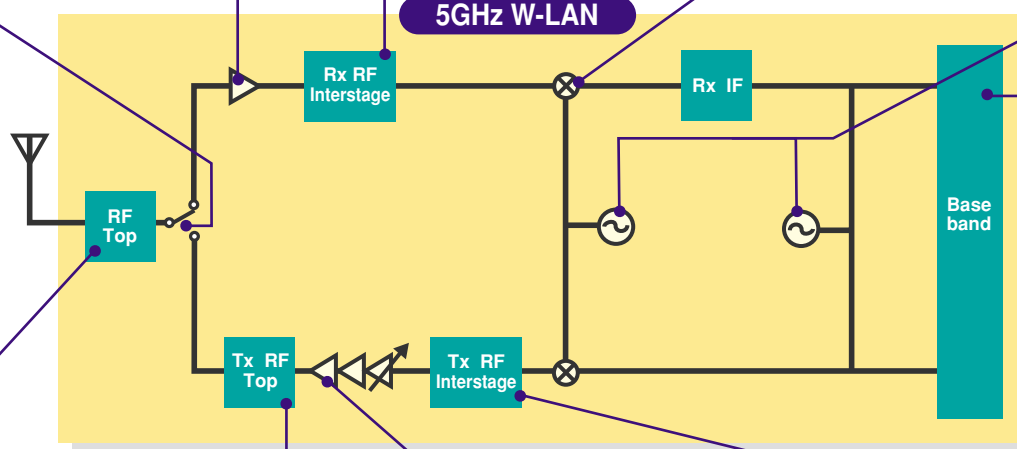
PLL Module

HFQD08W5G Series



12.6x8.6x1.6mm typ.

5GHz W-LAN



Base band

High Frequency Active Filter

AF Series



RF Top

"GIGAFIL"

DFCB25G25LAHAA



3.6x3x1.6mm

Tx RF Top

"GIGAFIL"

DFCB25G25LAHAA



3.6x3x1.6mm

PA

GaAs MMIC

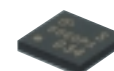
XM5060PB-SF1701



4.0x4.0x0.9mm

GaAs MMIC

XM5060PA-S02501



4.0x4.0x0.8mm

Tx RF Interstage

"GIGAFIL"

DFCB35G25LAHAA

